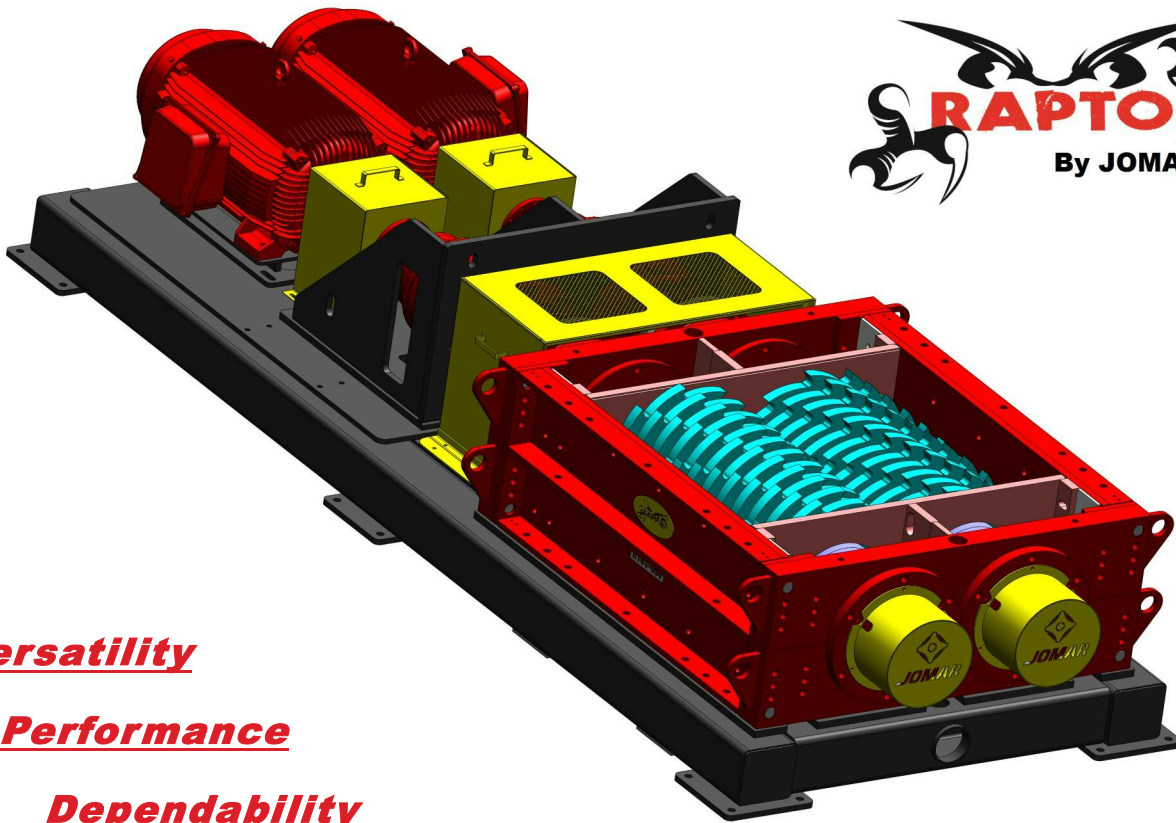
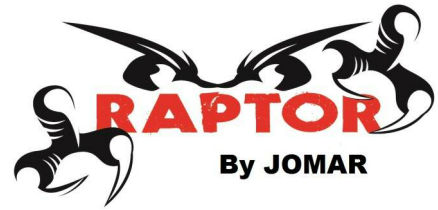


# Model R160 Extreme Duty Shredder

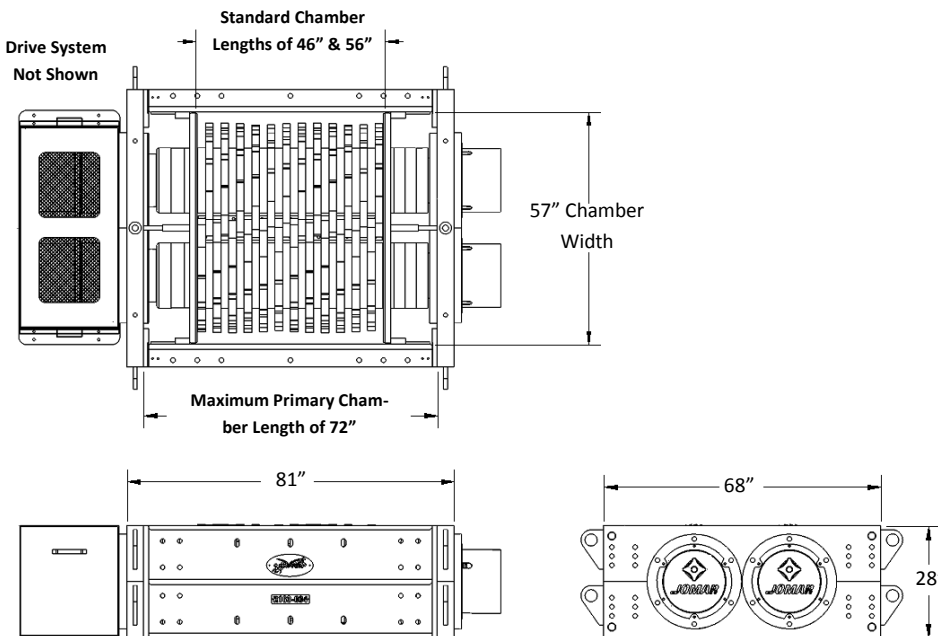


**Versatility**

**Performance**

**Dependability**

**Features**



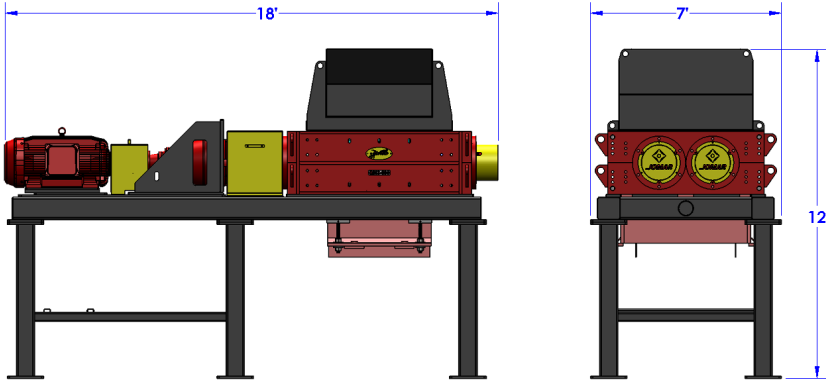
## **R160 Specifications**

- **Cutting Chamber 57" Wide by Length options of: 46" , 56" or 72" (Primary Cut Only)**
- **Horsepower: 200 to 500**
- **Drive System: Electric or Hydraulic**
- **Cutter Shaft Size: Hex 11" x 12-3/4"**
- **Drive System: Dual Direct Drive Planetary or Dual Helical Gearboxes.**
- **Blade Configurations: Primary Cut, Chipping, Wire Liberation, Bolt on clean cut TDF (Multiple Versions)**
- **Available with Internal Screen**
- **Raptor XD Features (Reference XD Features Flyer)**

**Jomar Machining & Fabrication**  
13393 CR 22  
Middlebury , IN 46540

[www.shredandgrind.com](http://www.shredandgrind.com)  
E-Mail: [info@shredandgrind.com](mailto:info@shredandgrind.com)  
574-825-9837 Ext 202

# Model R160 Extreme Duty Shredder



**R160 Dual Drive Electric (Planetary) 300 to 500 HP**  
(Shown With Internal Scree & corresponding stand)

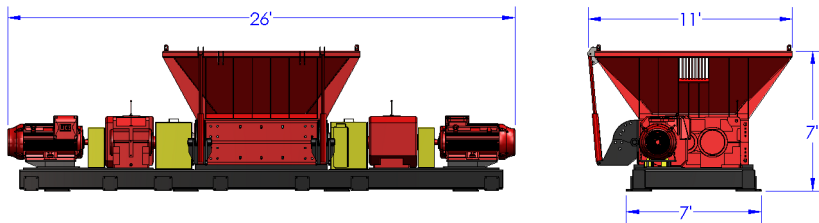
**Versatility**

**Performance**

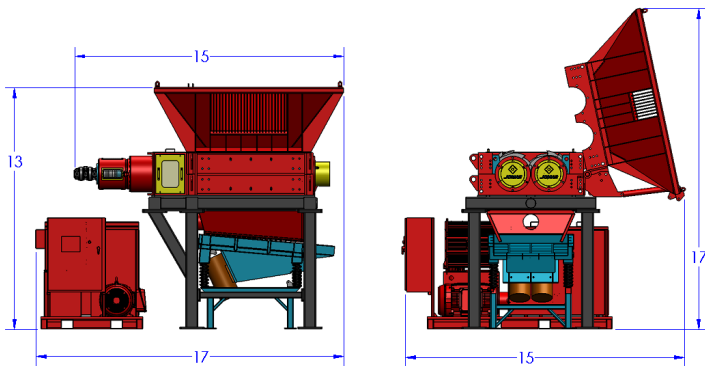
**Dependability**

**Features**

The Jomar Raptor Series shredders offer a vast number of cutting options. This versatility provides you the ability to grow as your market changes. Most importantly the Raptor design allows for these blade changes to occur to the existing machine.



**R163 Dual Drive Electric (Helical) 300 to 400 HP**  
(Shown With Auto-Open Box/Hopper Feature)



**R163 Dual Drive Hydraulic 200 to 500 HP**

